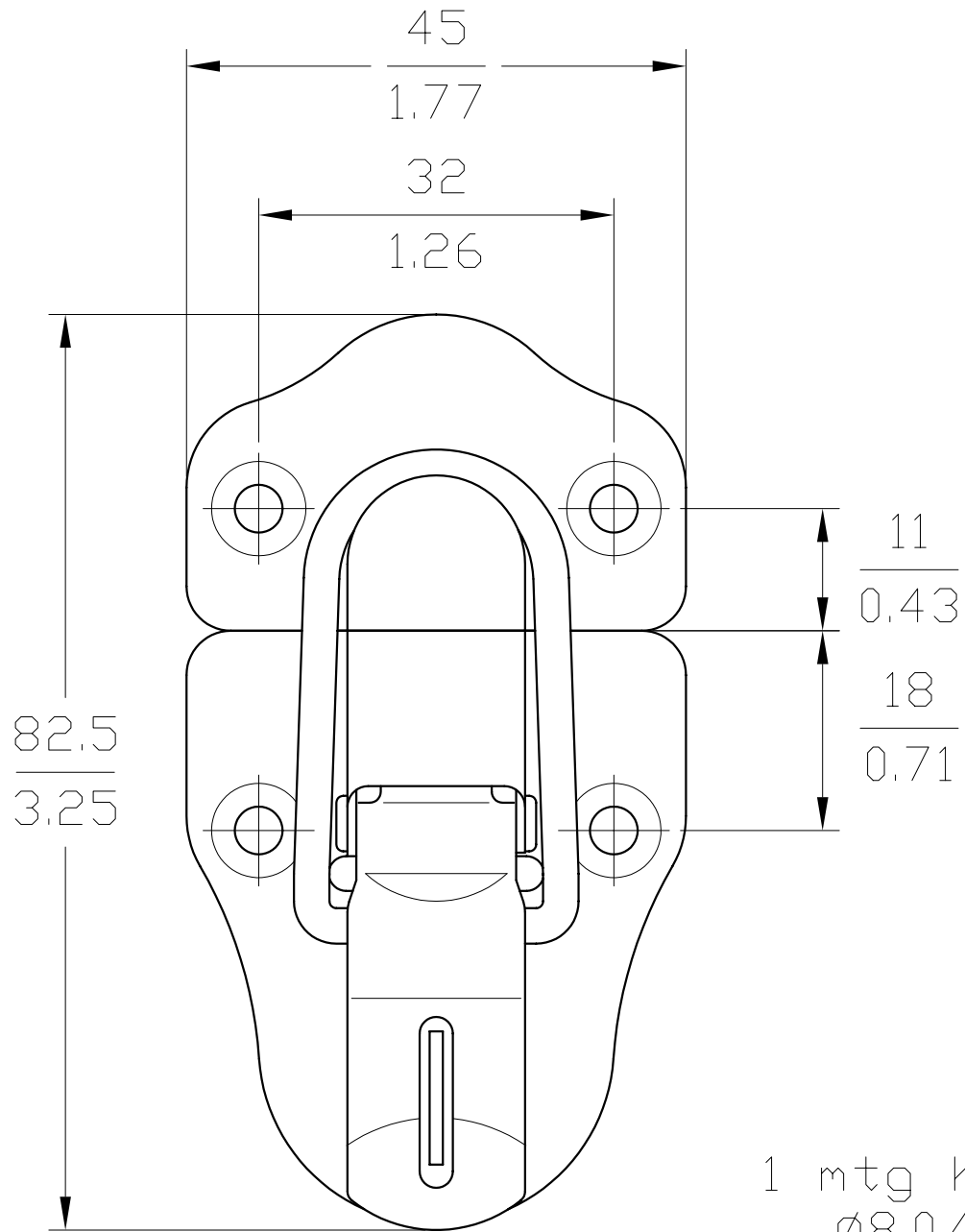


2 mtg holes $\varnothing 4.3/0.17$



2 mtg holes $\varnothing 4.3/0.17$

1 mtg hole
 $\varnothing 8.0/0.31$

